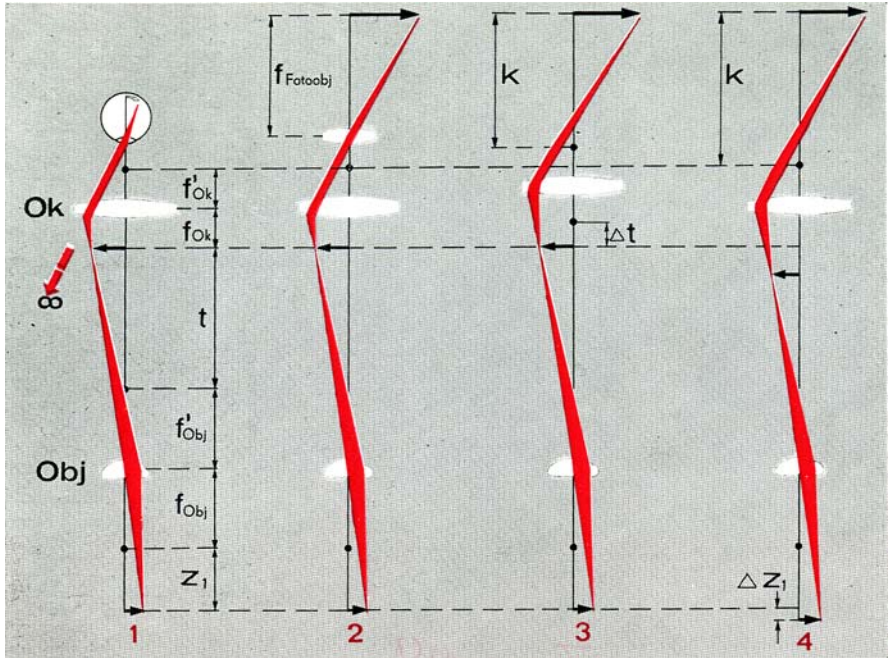


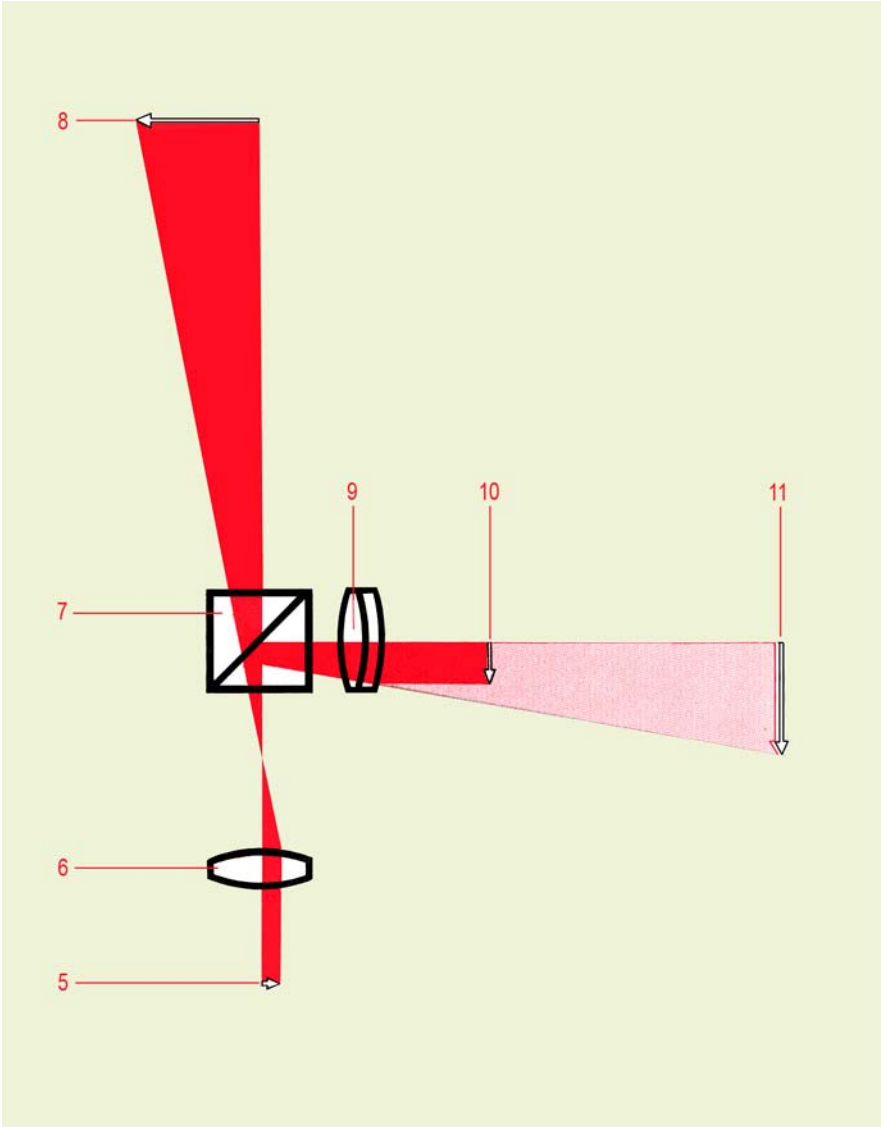
Einlage 1 zu 30-G 605



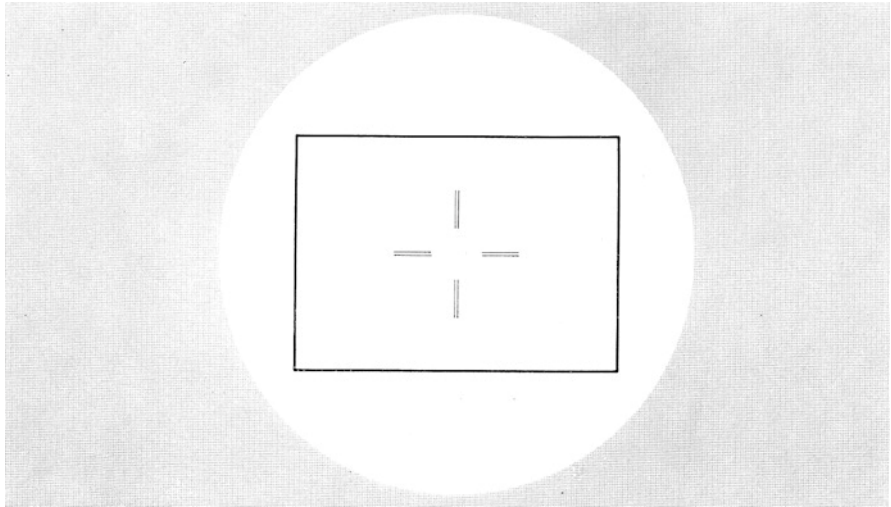
1



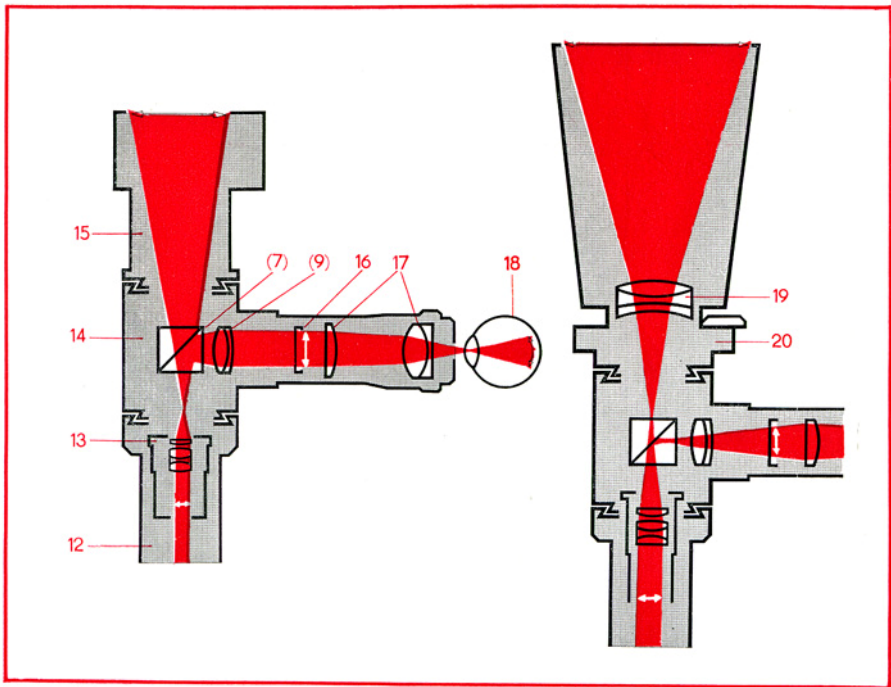
2



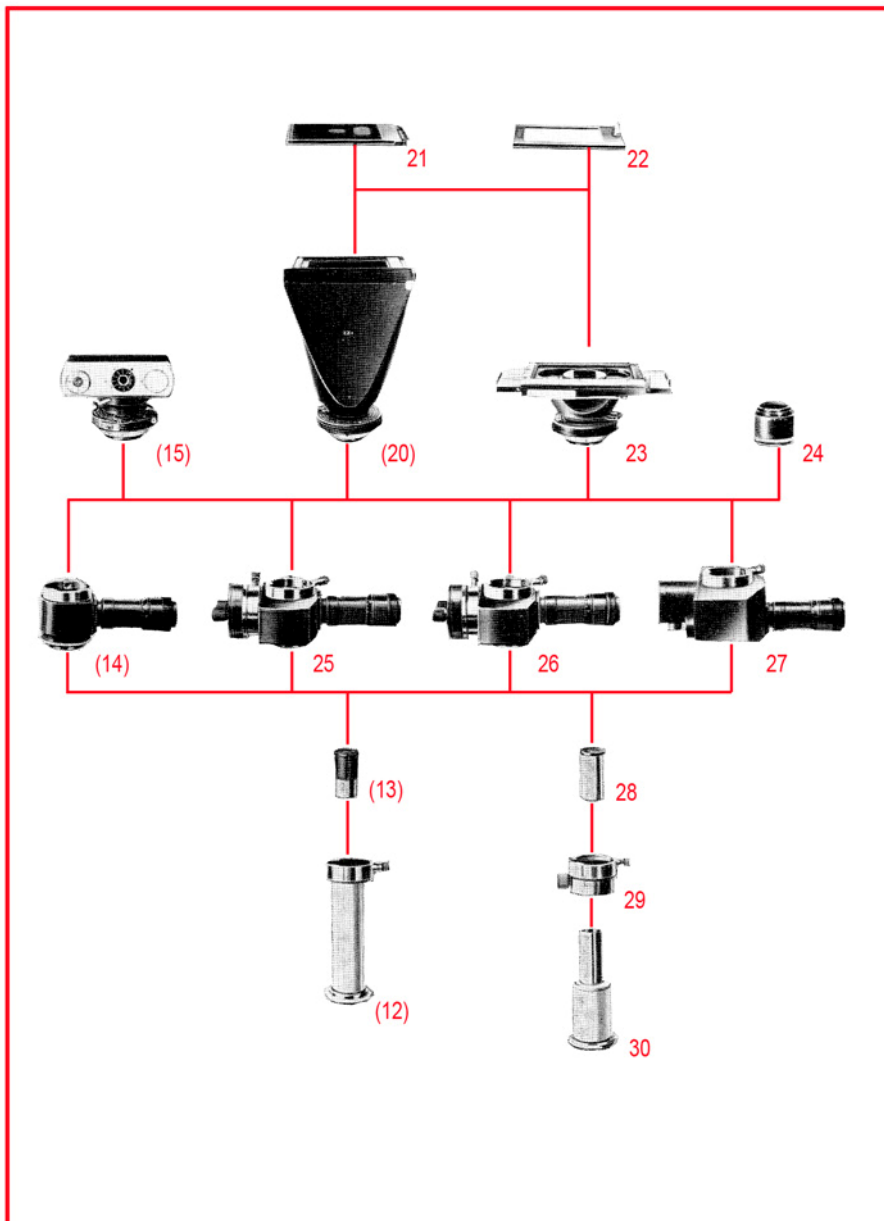
3

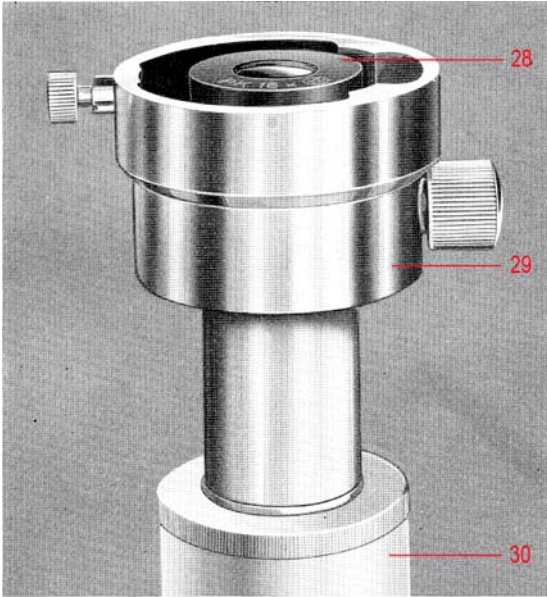


4

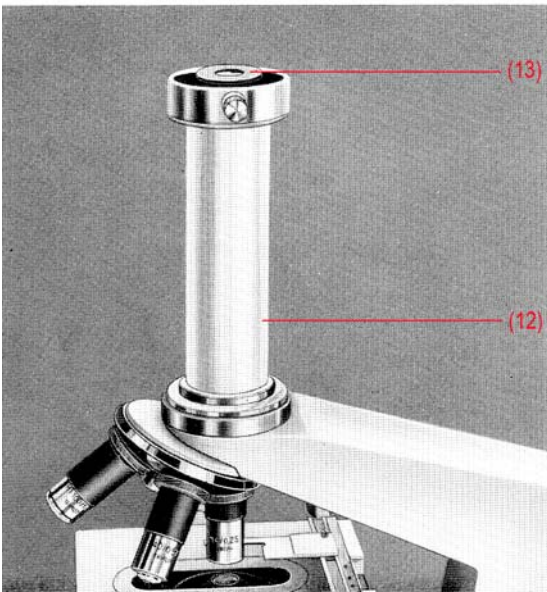


5

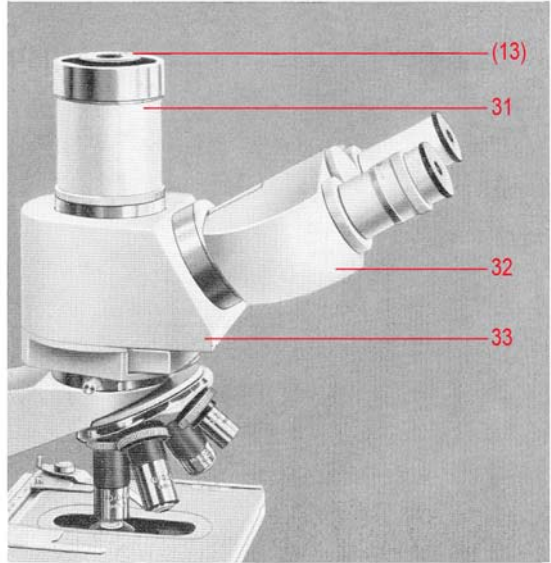




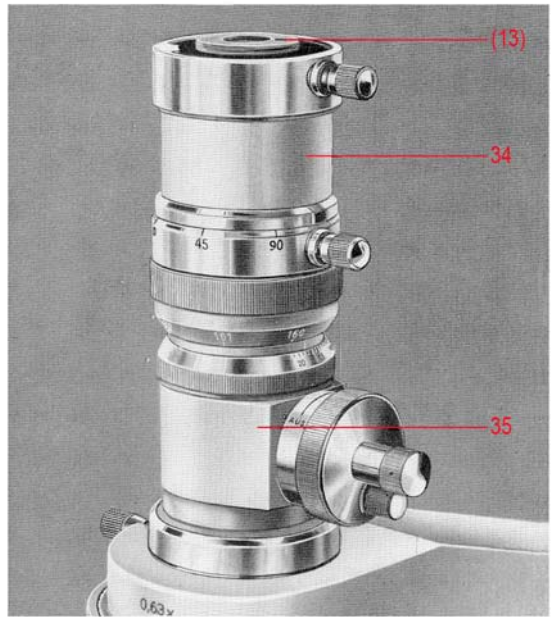
7



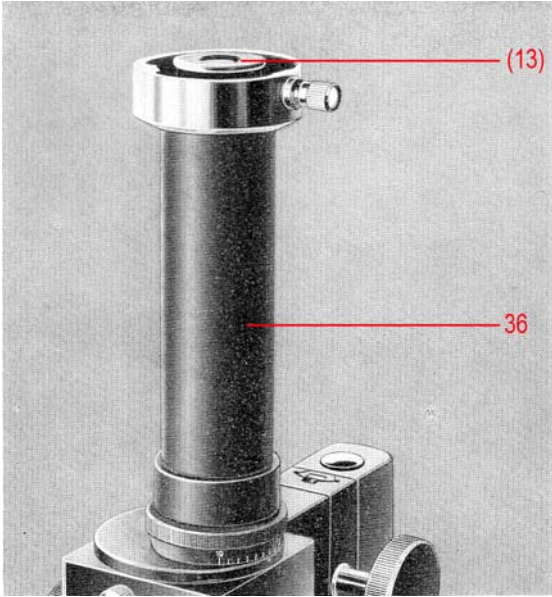
8



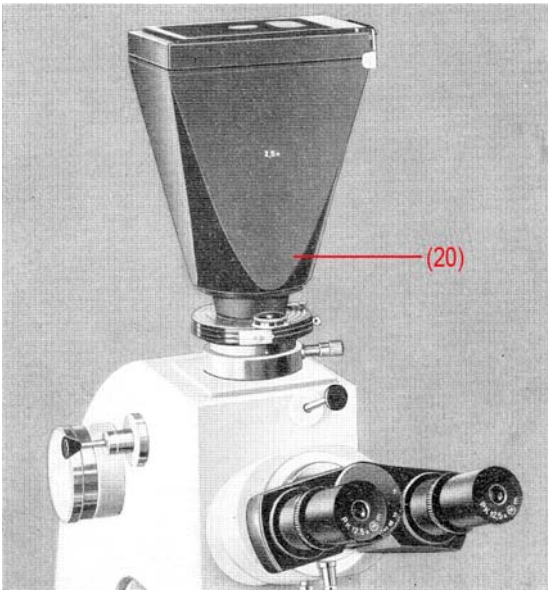
9



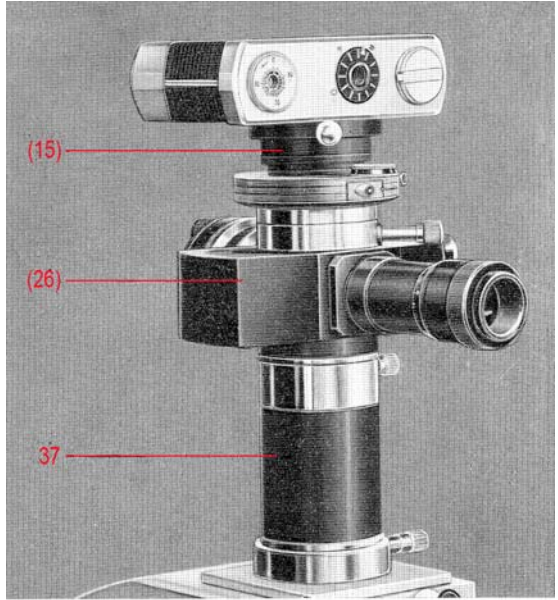
10



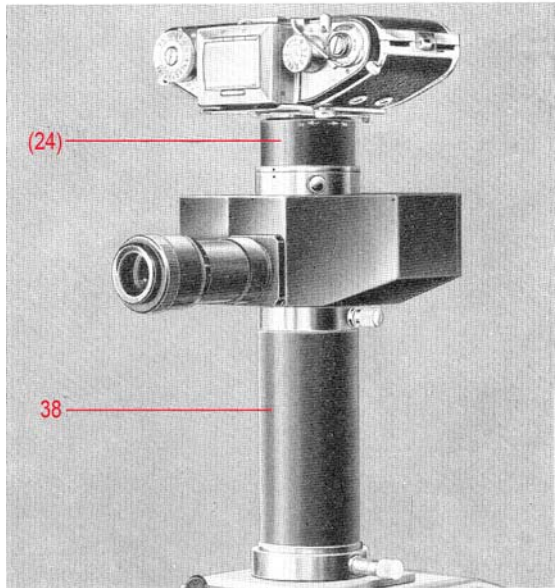
11



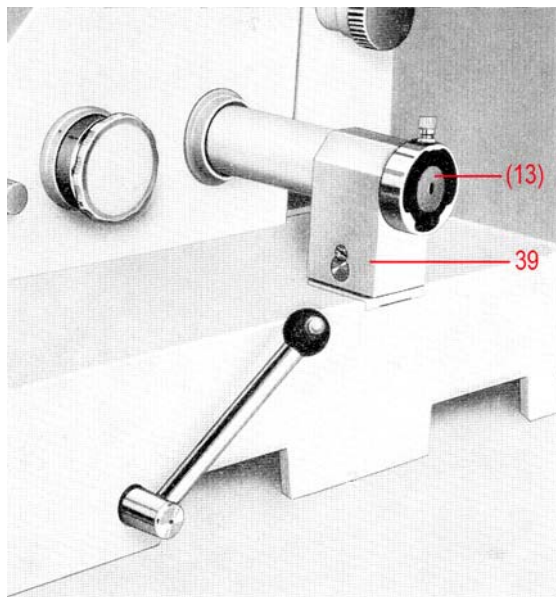
12



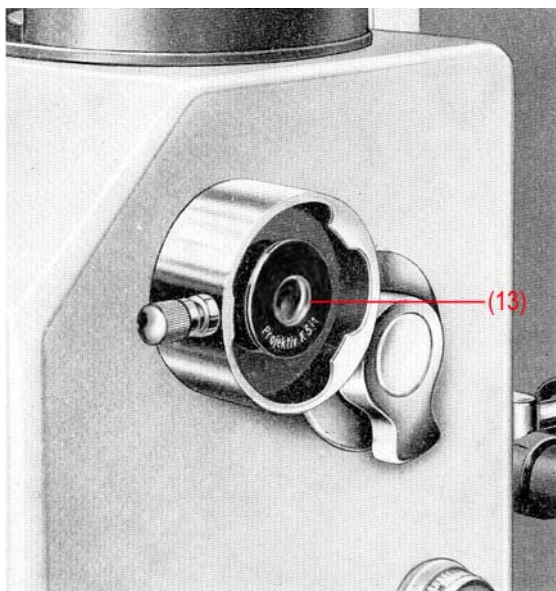
13



14

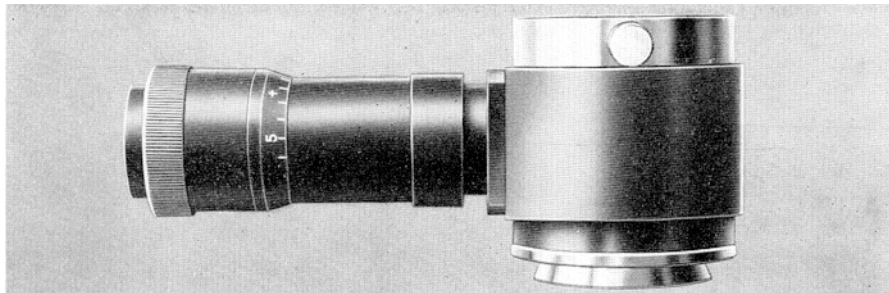


15

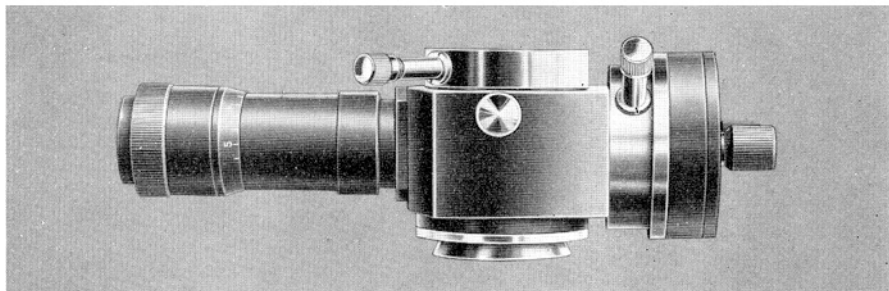


16

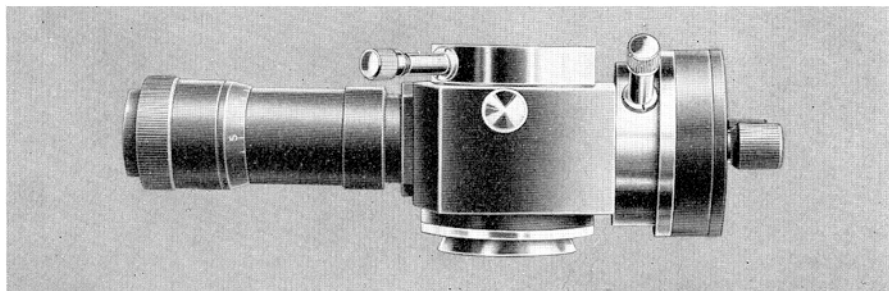
17



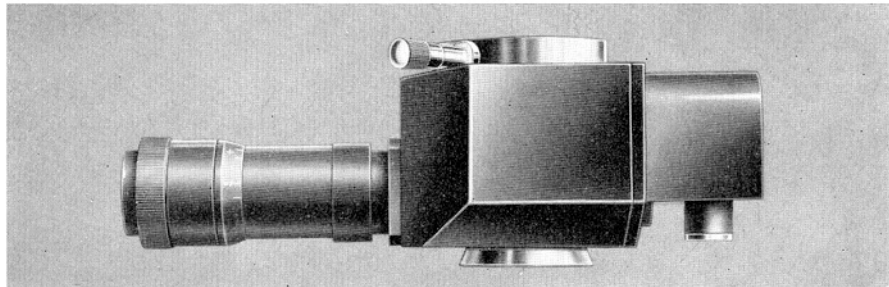
18

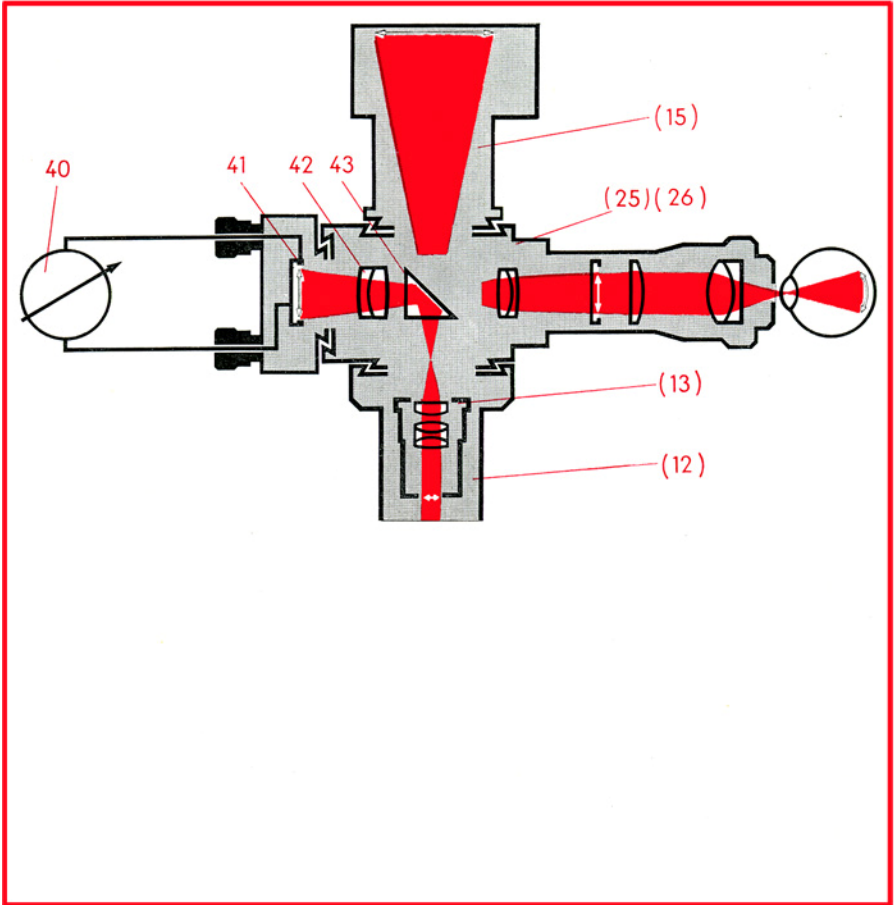


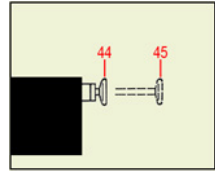
19



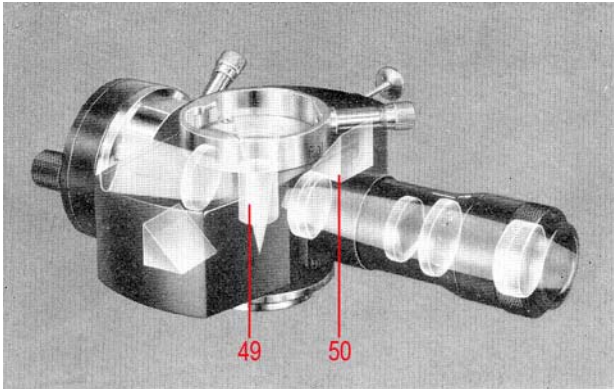
20



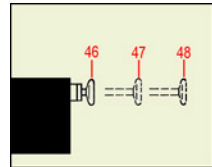




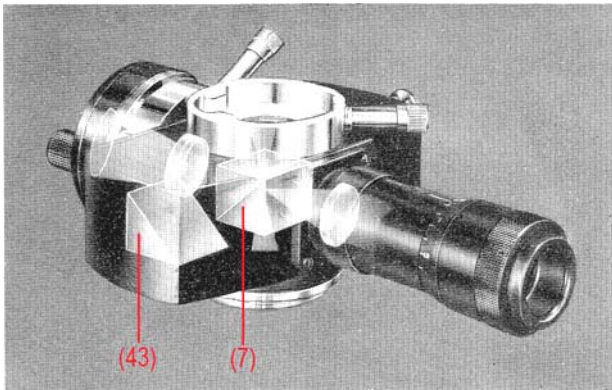
22



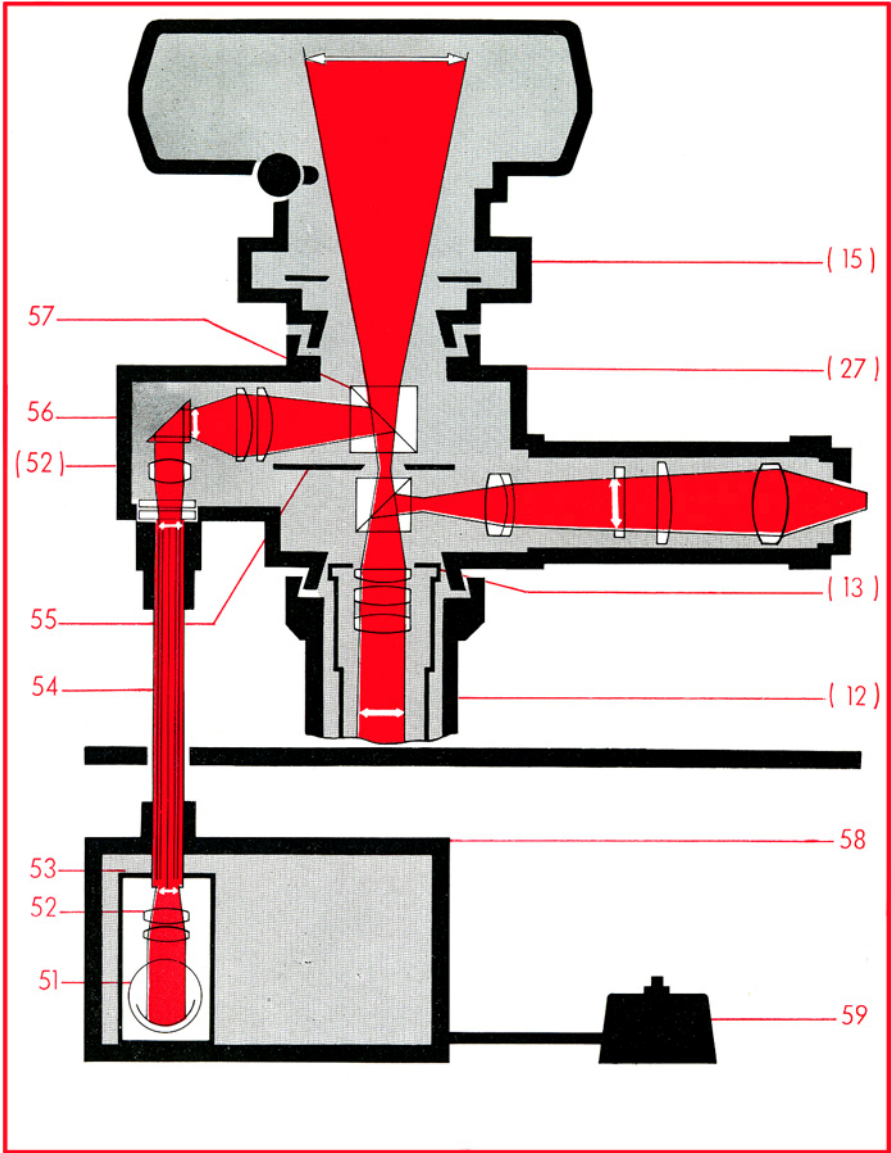
23

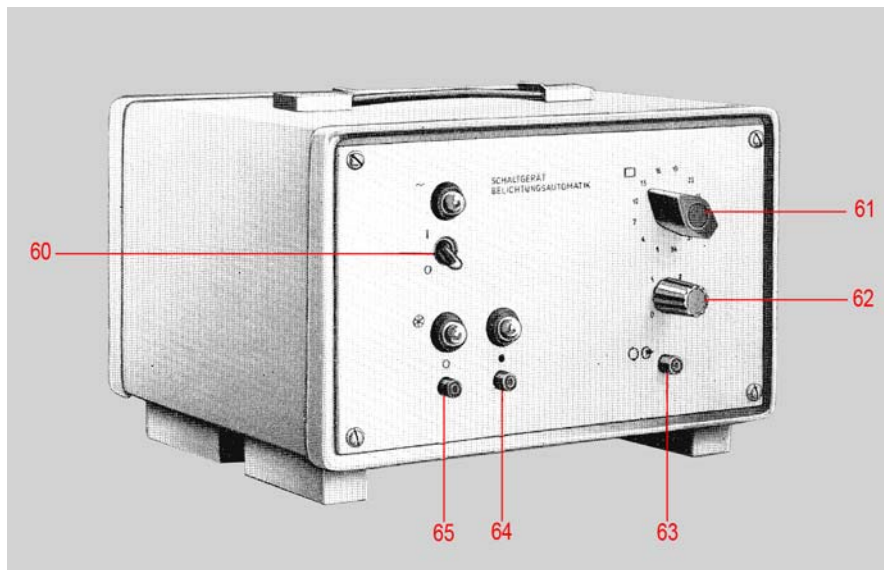


24



25





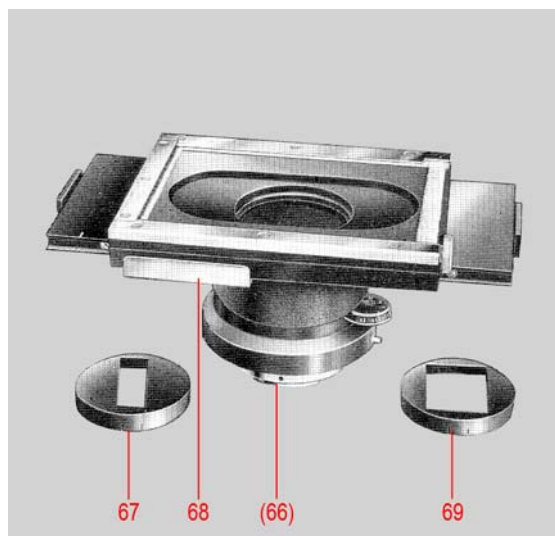
27



28

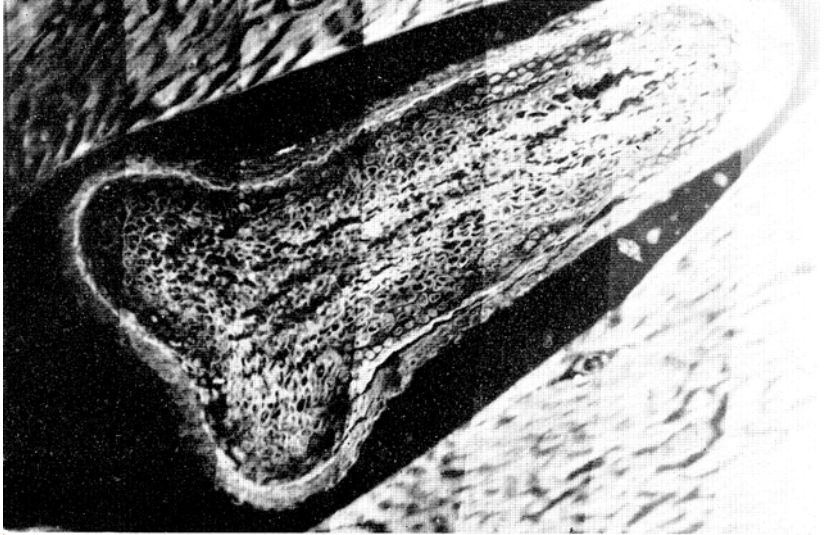


29



30





1. Exp.	1	1	1	1	1	1	1
2. Exp.		1	1	1	1	1	1
3. Exp.			2	2	2	2	2
4. Exp.				4	4	4	4
5. Exp.					8	8	8
6. Exp.						15	15
7. Exp.							30
t(s)	1	2	4	8	16	30	60

